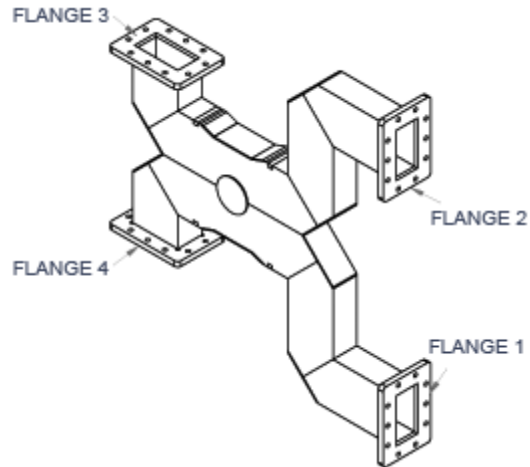
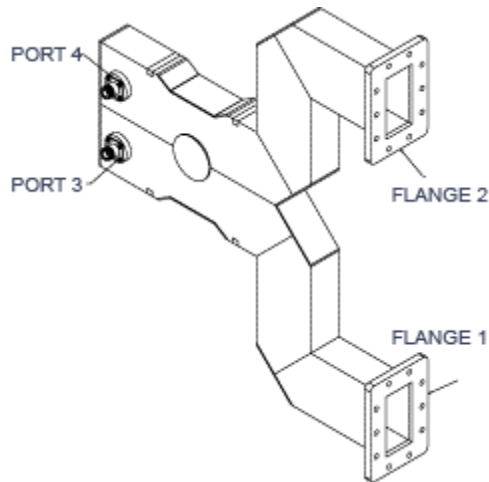
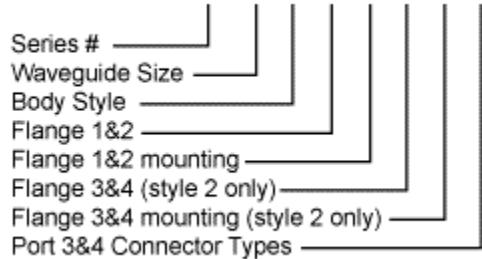


Quadrature Hybrid, 3dB Series S149



Ordering Information

Part Number = 149 - X - X - X - X - X - X - X



Specifications

Frequency Band	2.5 - 2.7 GHz
VSWR	1.25 : 1 max
Insertion Loss	0.25 dB typ.
Isolation	18dB min.
Unbalance	+/- 0.25 dB max.



Flange Configuration

FlangeType	C - Cover G - Groove CHOKE CMR CPR CPR (F,G)
Flange Mounting Holes	T1 - Through Holes T2 - Threaded A - Alternating

Port Configuration

Connector Style	N-Type, 7/16 DIN, 7/8 EIA
Connector Type	M-Male, F-Female